

- 1pole 6 A, 1 CO or 1 NO contact
- Environmentally-friendly cadmium-free contacts
- Class F coil system standard
- For ambient temperatures up to 105°C
- Product in accordance to IEC60335-1
- RoHS compliant (Directive 2002/95/EC) as per product date code 0346



F0224BB

**Applications**

White goods, domestic appliances

**Approvals**

VDE REG.-Nr. 121560, c RU us E214025  
 Technical data of approved types on request

**Contact data**

|  |                          |
|--|--------------------------|
| Contact configuration                              | 1 CO or 1 NO contact     |
| Contact set  | single contact           |
| Type of interruption                               | micro disconnection      |
| Rated current                                      | 6 A                      |
| Rated voltage / max.switching voltage AC           | 240/400 VAC              |
| Maximum breaking capacity AC                       | 1500 VA                  |
| Limiting making capacity, max 4 s, duty factor 10% | 10 A                     |
| Contact material                                   | AgNi 90/10               |
| Mechanical endurance                               | 2x10 <sup>6</sup> cycles |
| Rated frequency of operation with / without load   | 6/600 min <sup>-1</sup>  |

**Contact ratings**

| Type | Load  | Cycles              |
|------|---|---------------------|
| NO   | 2 A, 250 VAC, 105°C, resistive, 50Hz, EN61810 | 250x10 <sup>3</sup> |
| NO   | 5 A, 250 VAC, 105°C, resistive, 50Hz, EN61810 | 150x10 <sup>3</sup> |
| CO   | 6 A, 250 VAC, 105°C, resistive, 50Hz, EN61810 | 100x10 <sup>3</sup> |

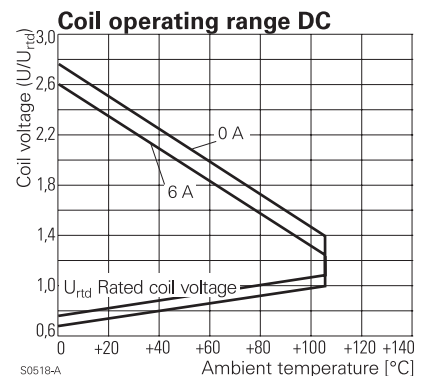
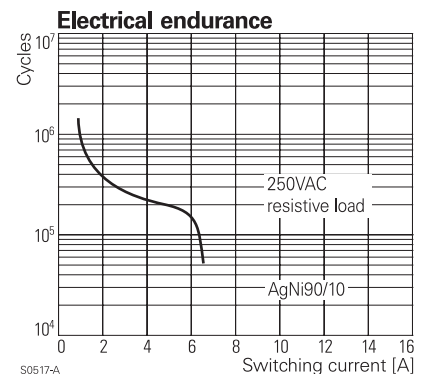
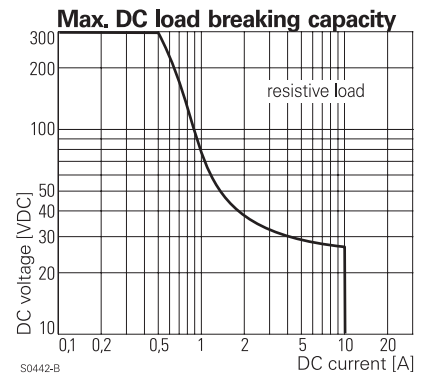
**Coil data**

|  |             |
|--|-------------|
| Rated coil voltage range DC coil                 | 5...36 VDC  |
| Coil power DC coil                               | typ. 360 mW |
| Operative voltage range, % of rated coil voltage | 90...100%   |
| Non-release voltage, % of rated coil voltage     | 50%         |

**Coil versions, DC-coil**

| Coil code | Rated voltage VDC | Operate voltage VDC | Release voltage VDC | Coil resistance Ohm | Rated coil power mW |
|-----------|-------------------|---------------------|---------------------|---------------------|---------------------|
| 005       | 5                 | 3.75                | 0.5                 | 70±10%              | 357                 |
| 006       | 6                 | 4.5                 | 0.6                 | 100±10%             | 360                 |
| 009       | 9                 | 6.75                | 0.9                 | 225±10%             | 360                 |
| 012       | 12                | 9.0                 | 1.2                 | 400±10%             | 360                 |
| 018       | 18                | 13.5                | 1.8                 | 900±10%             | 360                 |
| 022       | 22                | 16.5                | 2.2                 | 1344±10%            | 360                 |
| 024       | 24                | 18.0                | 2.4                 | 1600±10%            | 360                 |
| 048       | 48                | 36                  | 4.8                 | 6400±10%            | 360                 |

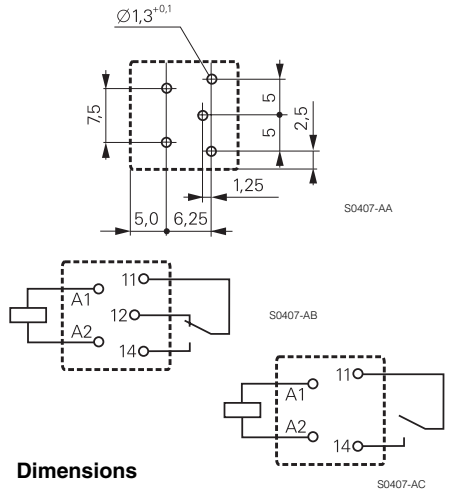
All figures are given for coil without preenergization, at ambient temperature +23°C  
 Other coil voltages on request



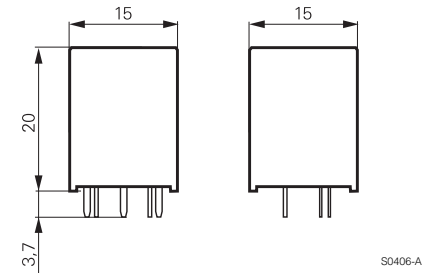
| Insulation                                |                       |
|---|-----------------------|
| Dielectric strength coil-contact circuit  | 2500 V <sub>rms</sub> |
| open contact circuit                      | 1000 V <sub>rms</sub> |
| Clearance / creepage coil-contact circuit | ≥ 3/4 mm              |
| Material group of insulation parts        | IIIa                  |
| Tracking index of relay base              | CTI 250               |
| Insulation to IEC 60664-1                 |                       |
| Type of insulation coil-contact circuit   | basic                 |
| open contact circuit                      | functional            |
| Rated insulation voltage                  | 250 V                 |
| Pollution degree                          | 3                     |
| Rated voltage system                      | 230/400 V             |
| Overvoltage category                      | III                   |

| Other data                                      |   |
|---|---|
| RoHS - Directive 2002/95/EC                     | compliant as per product date code 0346 |
| Flammability class according to UL94            | V-0                                     |
| GWFI to IEC 60335-1                             | ≥ 850°C                                 |
| GWIT to IEC 60335-1                             | ≥ 775°C                                 |
| Ambient temperature range                       | -20...105°C                             |
| Operate- / release time                         | < 20 ms                                 |
| Bounce time NO / NC contact                     | < 15 ms                                 |
| Vibration resistance (function) NO / NC contact | >10/4g, 30...400Hz                      |
| Shock resistance (destruction)                  | 100 g                                   |
| Category of protection                          | RTII - flux proof                       |
| Mounting  | pcb                                     |
| Resistance to soldering heat                    | 270°C / 10 s                            |
| Relay weight                                    | 5.4 g                                   |
| Packaging unit                                  | 35/1050 pcs                             |

**PCB layout / terminal assignment**  
Bottom view on solder pins



**Dimensions**



**Product key**

|                        |  |                          |  |  |  |
|------------------------|--|--------------------------|--|--|--|
| Type                   |  |                          |  |  |  |
| Version                |  |                          |  |  |  |
|                        | <b>H</b>                                       | High temperature version |  |  |  |
| Contact configuration  | <b>1</b>                                       | <b>3</b>                 |  |  |  |
|                        | 1 CO contact                                   | 1 NO contact             |  |  |  |
| Contact material       | <b>4</b>                                       | AgNi 90/10               |  |  |  |
| Coil                   | Coil code: please refer to coil versions table |                          |  |  |  |
| Other types on request |  |                          |  |  |  |

| Product key | Version                  | Contacts     | Contact material | Coil   | Part number  |  |       |             |
|-------------|--------------------------|--------------|------------------|--------|--------------|--|-------|-------------|
| PBH14005    | high temperature version | 1 CO contact | AgNi 90/10       | 5 VDC  | 9-1415356-1  |  |       |             |
| PBH14006    |                          |              |                  | 6 VDC  | 8-1415356-1  |  |       |             |
| PBH14009    |                          |              |                  | 9 VDC  | 7-1415356-1  |  |       |             |
| PBH14012    |                          |              |                  | 12 VDC | 6-1415356-1  |  |       |             |
| PBH14018    |                          |              |                  | 18 VDC | 6-1415357-1  |  |       |             |
| PBH14022    |                          |              |                  | 22 VDC | 7-1415357-1  |  |       |             |
| PBH14024    |                          |              |                  | 24 VDC | 6-1415355-1  |  |       |             |
| PBH14036    |                          |              |                  | 36 VDC | 9-1415355-1  |  |       |             |
| PBH34005    |                          |              |                  |        | 1 NO contact |  | 5 VDC | 5-1415356-1 |
| PBH34006    |                          |              |                  |        |              |  | 6 VDC | 4-1415356-1 |
| PBH34009    | 9 VDC                    | 3-1415356-1  |                  |        |              |  |       |             |
| PBH34012    | 12 VDC                   | 2-1415356-1  |                  |        |              |  |       |             |
| PBH34018    | 18 VDC                   | 8-1415357-1  |                  |        |              |  |       |             |
| PBH34022    | 22 VDC                   | 9-1415357-1  |                  |        |              |  |       |             |
| PBH34024    | 24 VDC                   | 1-1415356-1  |                  |        |              |  |       |             |
| PBH34036    | 36 VDC                   | 0-1415356-1  |                  |        |              |  |       |             |